

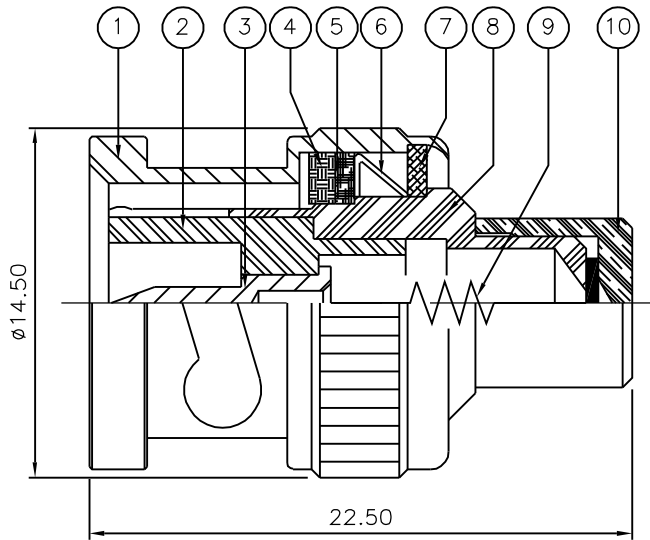
THIS DRAWING IS UNPUBLISHED. RELEASED FOR PUBLICATION DEC .2005.

© COPYRIGHT 2005 BY TYCO ELECTRONICS CORPORATION. ALL RIGHTS RESERVED.

| LOC | DIST | REVISIONS |     |               |         |     |      |
|-----|------|-----------|-----|---------------|---------|-----|------|
| E   | B    | P         | LTR | DESCRIPTION   | DATE    | DWN | APVD |
|     |      | C         |     | ECR-05-017969 | 14DEC05 | JMS | FWK  |

NOTES:

- 1 PACK IN ACCORDANCE WITH AMP SPEC 107-3275
- 2 100 TRAY PACK IN ACCORDANCE WITH AMP SPEC 107-3275
- 3 Ag PLATING
- 4 THIS ITEM MUST BE WHITE
- 5 ELECTRICAL CHARACTERISTICS  
 FREQUENCY RANGE: DC - 1 GHz  
 NOMINAL IMPEDANCE: 50 Ohm  
 INSULATION RESISTANCE: 5000 MOhm  
 WORKING VOLTAGE: 500 Volts RMS at Sea Level  
 DIELECTRIC WITHSTAND VOLTAGE: 1500 Volts RMS Max  
 CONTACT RESISTANCE:  
 CENTRE CONTACT: 1.50 mOhm Max  
 OUTER CONTACT: 0.20 mOhm Max
- 6 MECHANICAL CHARATERISTICS  
 COUPLING RETENTION FORCE: 445N  
 CABLE RETENETION FORCE: N/A  
 DURABILITY: 500 Cycles Min
- 7 ENVIRONMENTAL CHARACTERISTICS  
 OPERATING TEMPERATURE: -65 to +165 DegC



|  |      |      |                |   |                |      |
|--|------|------|----------------|---|----------------|------|
|  | 1    | 1    | BRASS          | 3 | CAP            | 10   |
|  | 1    | 1    | 1/2W-50 OHM    |   | RESISTOR       | 9    |
|  | 1    | 1    | BRASS          | 3 | BODY           | 8    |
|  | 1    | 1    | BRASS          | 3 | WASHER         | 7    |
|  | 1    | 1    | SPRING STEEL   |   | SPRING         | 6    |
|  | 1    | 1    | BRASS          | 3 | RETAINING RING | 5    |
|  | 1    | 1    | SILICON RUBBER | 4 | GASKET         | 4    |
|  | 1    | 1    | BRASS          | 3 | CONTACT        | 3    |
|  | 1    | 1    | PTFE           |   | INSULATION     | 2    |
|  | 1    | 1    | BRASS          | 3 | SHELL          | 1    |
|  | 6--0 | 1--0 | MATERIAL       |   | DESCRIPTION    | ITEM |

|                   |           |            |               |       |  |
|-------------------|-----------|------------|---------------|-------|--|
| QUANTITY PER ASSY |           | PARTS LIST |               |       |  |
| DWN               |           | 14DEC05    |               |       |  |
| CHK               |           | 14DEC05    |               |       |  |
| APVD              |           | 14DEC05    |               |       |  |
| PRODUCT SPEC      |           | -          |               |       |  |
| APPLICATION SPEC  |           | -          |               |       |  |
| WEIGHT            |           | -          |               |       |  |
| CUSTOMER DRAWING  |           | SCALE NTS  |               |       |  |
| SIZE              | CAGE CODE | DRAWING NO | RESTRICTED TO |       |  |
| A3                | 00779     | C=1337463  | -             |       |  |
| SHEET             |           | 1 OF 1     |               | REV C |  |

THIS DRAWING IS A CONTROLLED DOCUMENT.

DIMENSIONS: mm

TOLERANCES UNLESS OTHERWISE SPECIFIED:

|        |     |
|--------|-----|
| 0 PLC  | ± - |
| 1 PLC  | ± - |
| 2 PLC  | ± - |
| 3 PLC  | ± - |
| 4 PLC  | ± - |
| ANGLES | ± - |
| FINISH | -   |

MATERIAL: SEE TABLE

ELECTROSON

TYCO Electronics Bideford EX39 4HE

NAME: BNC PLUG TERMINATION 50 OHM