

CPT4 Series Counters

PRODUCT FEATURES

- + Counter, Ratemeter, Timer, Multi-totalizer, Batch Counter
- + Configuration using text menus
- + Easy modification of presets and multiplication coefficient
- + SPDT and solid state outputs
- + LCD and LED display
- + IP65 sealed front panel
- + 1/16 DIN-Sized (48 x 48mm) housing
- + UL, cUL Approved
- + RoHS Compliant

Instructions



Accessories

Description

Panel cut-out adapter plate for 72 x 72mm

Part number

87620300

LED Display

<u>Mounting Style</u>	<u>Input Power</u>	<u>Input Modes</u>	<u>Output</u>	<u>Presets</u>	<u>Part number</u>
Panel Mount	12-24 V DC	UP, DN, PH	SPDT & Solid State	1	<u>87620211</u>
Panel Mount	24 V AC	UP, DN, PH	SPDT & Solid State	1	<u>87620212</u>
Panel Mount	115 V AC	UP, DN, PH	SPDT & Solid State	1	<u>87620213</u>
Panel Mount	230 V AC	UP, DN, PH	SPDT & Solid State	1	<u>87620214</u>
Panel Mount	12-24 V DC	UP, DN, PH	2-SPDT & 2-Solid State	2	<u>87620221</u>
Panel Mount	24 V AC	UP, DN, PH	2-SPDT & 2-Solid State	2	<u>87620222</u>
Panel Mount	115 V AC	UP, DN, PH	2-SPDT & 2-Solid State	2	<u>87620223</u>
Panel Mount	230 V AC	UP, DN, PH	2-SPDT & 2-Solid State	2	<u>87620224</u>

LCD Display

<u>Mounting Style</u>	<u>Input Power</u>	<u>Input Modes</u>	<u>Output</u>	<u>Presets</u>	<u>Part number</u>
Panel Mount	12-24 V DC	UP, DN, PH	SPDT & Solid State	1	<u>87620111</u>
Panel Mount	24 V AC	UP, DN, PH	SPDT & Solid State	1	<u>87620112</u>
Panel Mount	115 V AC	UP, DN, PH	SPDT & Solid State	1	<u>87620113</u>
Panel Mount	230 V AC	UP, DN, PH	SPDT & Solid State	1	<u>87620114</u>
Panel Mount	12-24 V DC	UP, DN, PH	2-SPDT & 2-Solid State	2	<u>87620121</u>
Panel Mount	24 V AC	UP, DN, PH	2-SPDT & 2-Solid State	2	<u>87620122</u>
Panel Mount	115 V AC	UP, DN, PH	2-SPDT & 2-Solid State	2	<u>87620123</u>
Panel Mount	230 V AC	UP, DN, PH	2-SPDT & 2-Solid State	2	<u>87620124</u>

CPT4 Multifunction Counter



- ▶ Counter, Ratemeter, Timer, Multi-totalizer, Batch Counter
- ▶ Configuration using text menus
- ▶ Easy modification of presets and multiplication coefficient
- ▶ SPDT and solid state outputs
- ▶ LCD and LED display
- ▶ IP65 sealed front panel
- ▶ 1/16 DIN-Sized (48 x 48mm) housing



Input Specifications

Input Power \pm 10%	12-24VDC 24VAC 115VAC 230VAC
Sensor Supply (AC Input Only)	12-30VDC, max 50mA
Display	6 Digit LCD or LED
Display height	LCD < 9mm LED < 7.6mm
Inputs	3 inputs 2 counter inputs Gate and reset input
Input Modes	Adding, Subtracting, Directional, Cumulative, Independent, Phase
Input type	Voltage or solid state
Low Level	< 2 VDC
High Level	> 8 to 40 VDC
Counter Speed	5 kHz for simple counting 2.5 kHz for counting on both inputs
Minimum pulse time	Counting input: 17 mS at 30 Hz 250 μ S at 2.5KHz 100 μ S at 5KHz

Output Specifications

Solid state output max current	30 mA
Solid state output max voltage	24 VDC for DC version 30 VDC for AC version
Relay output current	0.01 to 5 A
Relay output voltage	5 - 30 VDC / 5 - 250 VAC
Response time	< 5 mS
Mechanical life (operations)	1×10^7
Electrical life (operations at 5A AC1)	1×10^5
Output maintained or pulsed	20, 50, 100, 200 500 mS or 1 second

General Specifications

Operating Temperature Range	0 to +50°C
Storage Temperature Range	-20 to +60°C
Relative humidity (no condensation)	DIN 40040 -40/90°C / %RLF
Altitude	0 < 2000 m / 3048 m (transport)
Standards	UL, cUL E96337
Vibration resistance in 3 axes	10m/s ² (10 to 150 Hz) conforming to IEC/EN 68 part 2-6. 100 m/s ² (18mS) conforming to IEC/EN 68 part 2-27
Protection	IP 65 (front panel) IP20 (for connections) IEC 144
Weight	100g for DC version with 1 preset. 200g for all others
Scaling factor	0.001 to 999,999
Programming and current value backed up via EEPROM	Write cycle: > 100,000 Read cycle: unlimited Last 10 years

Part Numbers

1 Solid State output and 1 SPDT output			
Preset	Supply Voltage	Display	Part Number
1	12-24 VDC	LCD	87620111
1	24 VAC	LCD	87620112
1	115 VAC	LCD	87620113
1	230 VAC	LCD	87620114
1	12-24 VDC	LED	87620211
1	24 VAC	LED	87620212
1	115 VAC	LED	87620213
1	230 VAC	LED	87620214

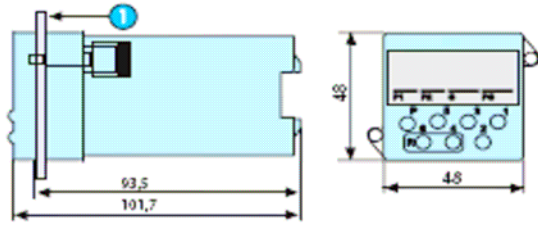
Part Numbers

2 Solid State outputs and 2 SPDT outputs			
Preset	Supply Voltage	Display	Part Number
2	12-24 VDC	LCD	87620121
2	24 VAC	LCD	87620122
2	115 VAC	LCD	87620123
2	230 VAC	LCD	87620124
2	12-24 VDC	LED	87620221
2	24 VAC	LED	87620222
2	115 VAC	LED	87620223
2	230 VAC	LED	87620224

Part Number

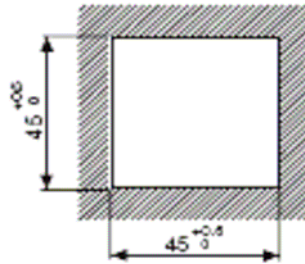
Accessories		
Description	Part Number	
Panel cut-out adapter plate for 72x72mm	87620300	

Dimensions mm

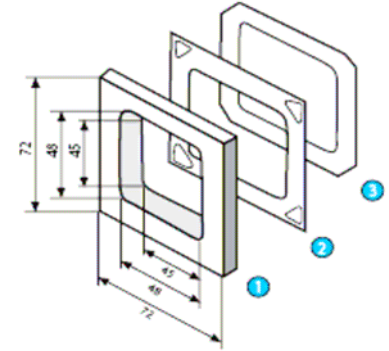


1 Panel thickness $1 < 10$ mm

Panel cut-out



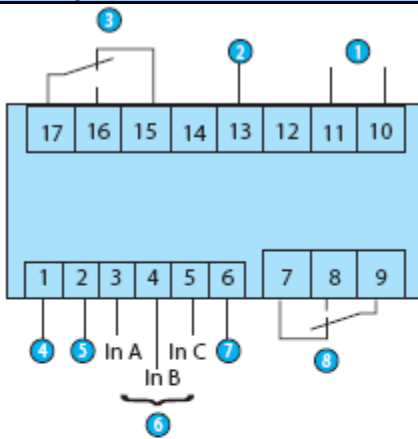
Adapter Plate



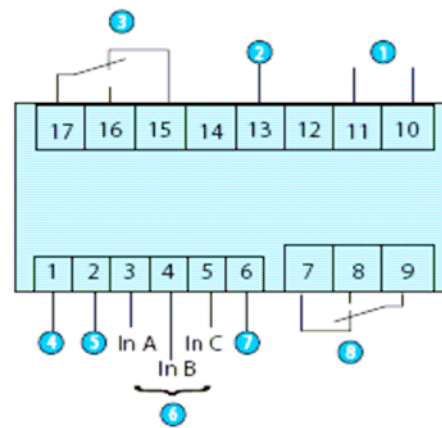
- 1 Front frame
- 2 Seal
- 3 Clamping frame

CPT4 - 2 presets AC version

CPT4 - 2 presets DC version



- 1 VAC power supply
- 2 Solid state output 2
- 3 Relay output 2
- 4 Auxiliary power supply
- 5 0 V or common
- 6 Counter and control input
- 7 Solid state output 1
- 8 Relay output 1



- 1 NC : Not connected
- 2 Solid state output 2
- 3 Relay output 2
- 4 VDC positive input
- 5 0 V or common
- 6 Counter and control input
- 7 Solid state output 1
- 8 Relay output 1

NB : Terminal 1 can be linked to inputs A, B or C via a contact when these inputs need an auxiliary power supply.