



Clamp-type test probe with rotating grip jaws and flexible shaft. The special form of the grip jaws allows clamping of pins and wires up to a maximum of 4 mm diameter. 4 mm diameter brass socket connection with side screw, grip jaws additionally nickel-plated.

KLEPS 30 schwarz/black

930 113-100

4 mm system

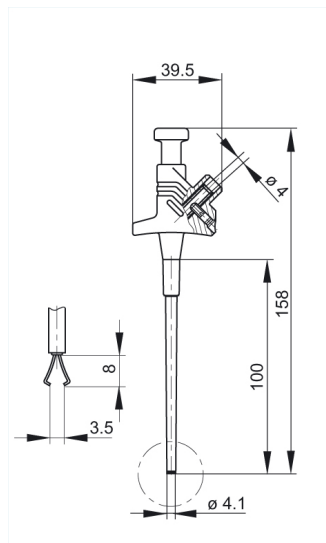
4 mm

rotating grip jaws

black

red color,

Order-No. 930 113-101



socket, screw connection

4 mm socket, screw

DC 60 V

50 mOhm

spring steel wire

nickel-plated

PF

-25 °C to +80 °C

ELECTROSÓN

