

new

Primary lithium battery

LS 14500Ex

3.6 V Primary lithium-thionyl chloride (Li-SOCl₂)

High energy density

AA-size bobbin cell

For demanding and potentially explosive atmospheres



Benefits

- Used in potentially explosive atmospheres
- Enhanced capacity
- High voltage response, stable during most of the lifetime of the application
- Wide operating temperature range (-60°C/+85°C)
- Low self-discharge rate (less than 1% after 1 year of storage at +20°C)

Key features

- Non-flammable electrolyte
- Compliant with IEC 60079-11 intrinsic safety standard and IEC 60086-4 safety standard
- Stainless steel container and end caps (low magnetic signature)
- Hermetic glass-to-metal sealing
- Underwriters Laboratories (UL) Component Recognition
- Non-restricted for transport
- Manufactured in UK and China

Main applications

- Gas metering
- Automatic meter reading
- Alarms and security devices
- Miners cap lamps
- Gas detectors
- Air monitoring equipment
- Safety torches
- Gas tanks level monitoring
- Miner equipment

Cell size references

R6 - AA

Electrical characteristics

(typical values relative to cells stored for one year or less at +30°C max.)

Nominal capacity (at 2 mA +20°C 2.0 V cut-off. The capacity restored by the cell varies according to current drain, temperature and cut-off)	2.6 Ah
Open circuit voltage (at +20°C)	3.67 V
Nominal voltage (at 0.2 mA +20°C)	3.6 V
Nominal energy	9.36 Wh

Pulse capability: Typically up to 250 mA (250 mA/0.1 second pulses, drained every 2 mn at +20°C from undischarged cells with 10 µA base current, yield voltage readings above 3.0 V. The readings may vary according to the pulse characteristics, the temperature, and the cell's previous history. Fitting the cell with a capacitor may be recommended in severe conditions. Consult Saft)

Maximum recommended continuous current (Higher currents possible, consult Saft)	50 mA
Storage (recommended) (for more severe conditions, consult Saft)	+30°C (+86°F) max
Operating temperature range (Operation above ambient T may lead to reduced capacity and lower voltage readings at the beginning of pulses. Consult Saft)	-60°C/+85°C (-76°F/+185°F)

Physical characteristics

Diameter (max)	14.55 mm (0.57 in)
Height (max)	50.3 mm (1.98 in)
Typical weight	16.7 g (~ 0.6 oz)
Li metal content	approx. 0.7 g

Available termination suffix	
CN, CNR	radial tabs
2 PF, 3 PF, 3 PF RP, 4 PF	radial pins
CNA (AX)	axial leads
FL	flying leads...etc.

IEC 60079-11 Intrinsic safety characteristics

(T4 up to +55°C)

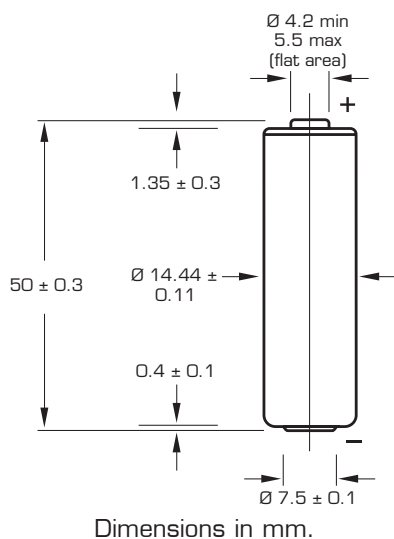
I short-circuit current (max)	3.7 A
Ri (max)	989 mΩhm
Temperature rise (max)	+78°C

ELECTROSÓN

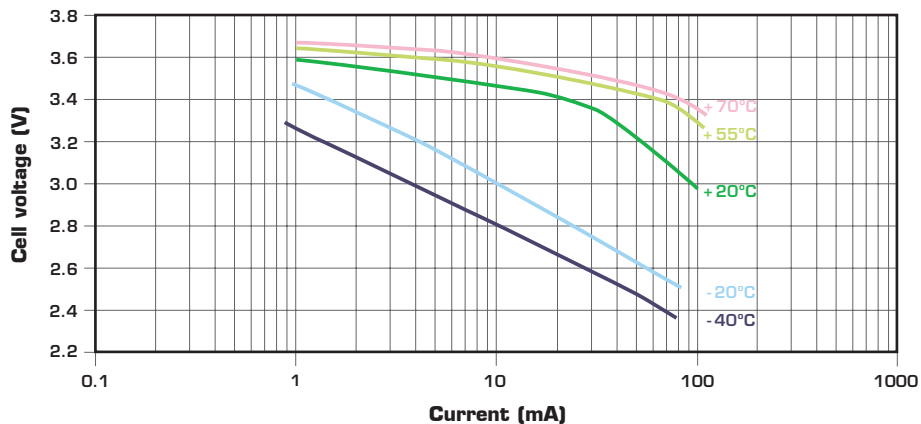


SAFT

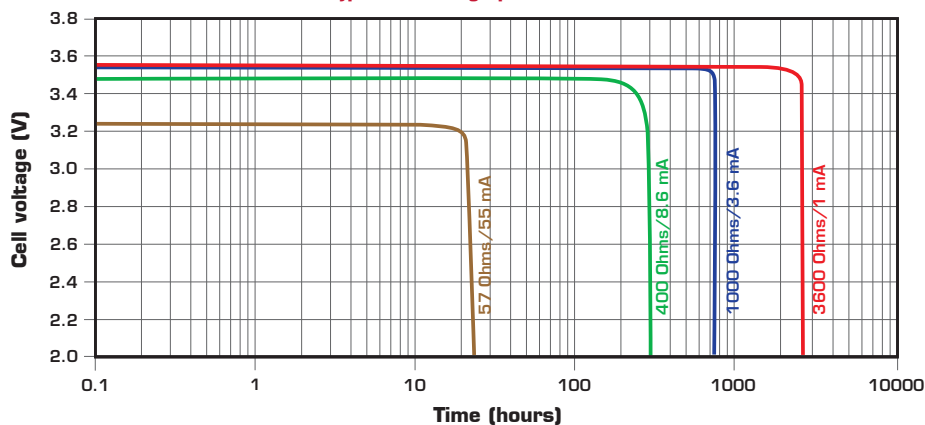
LS 14500Ex



Voltage plateau versus Current and Temperature (at mid-discharge)



Typical discharge profiles at +20°C



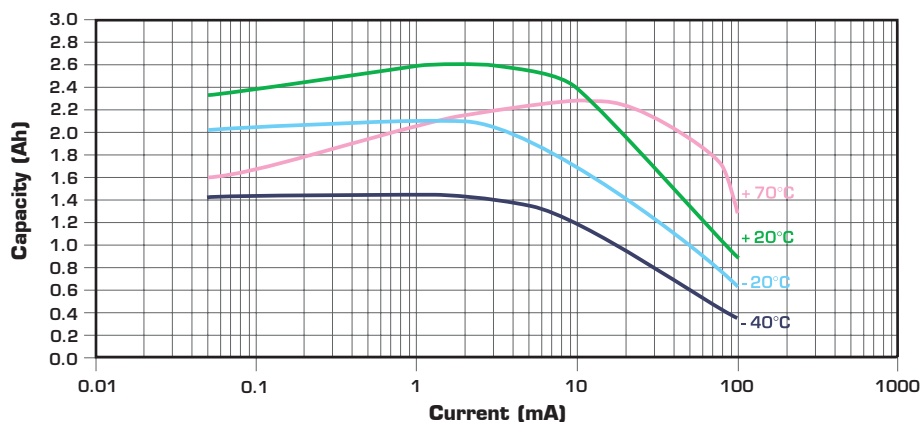
Storage

- The storage area should be clean, cool (preferably not exceeding +30°C), dry and ventilated.

Warning

- Fire, explosion and burn hazard.
- Do not recharge, short circuit, crush, disassemble, heat above 100°C (212°F), incinerate, or expose contents to water.
- Do not solder directly to the cell (use tabbed cell versions instead).

Restored Capacity versus Current and Temperature (2.0 V cut-off)



Doc. N° 31096-2-0510

Information in this document is subject to change without notice and becomes contractual only after written confirmation by Saft.

For more details on primary lithium technologies please refer to Primary Lithium Batteries Selector Guide Doc N° 31048-2.

Published by the Communications Department.

Photo credit: Saft

Société anonyme au capital de 31 944 000 €
RCS Bobigny B-383 703 873

Produced by Arthur Associates Limited.



SAFT