



P Series

NC4FP-1



Smallest available traditional style metal panel mount connector with large solder cups for ease hard wiring.

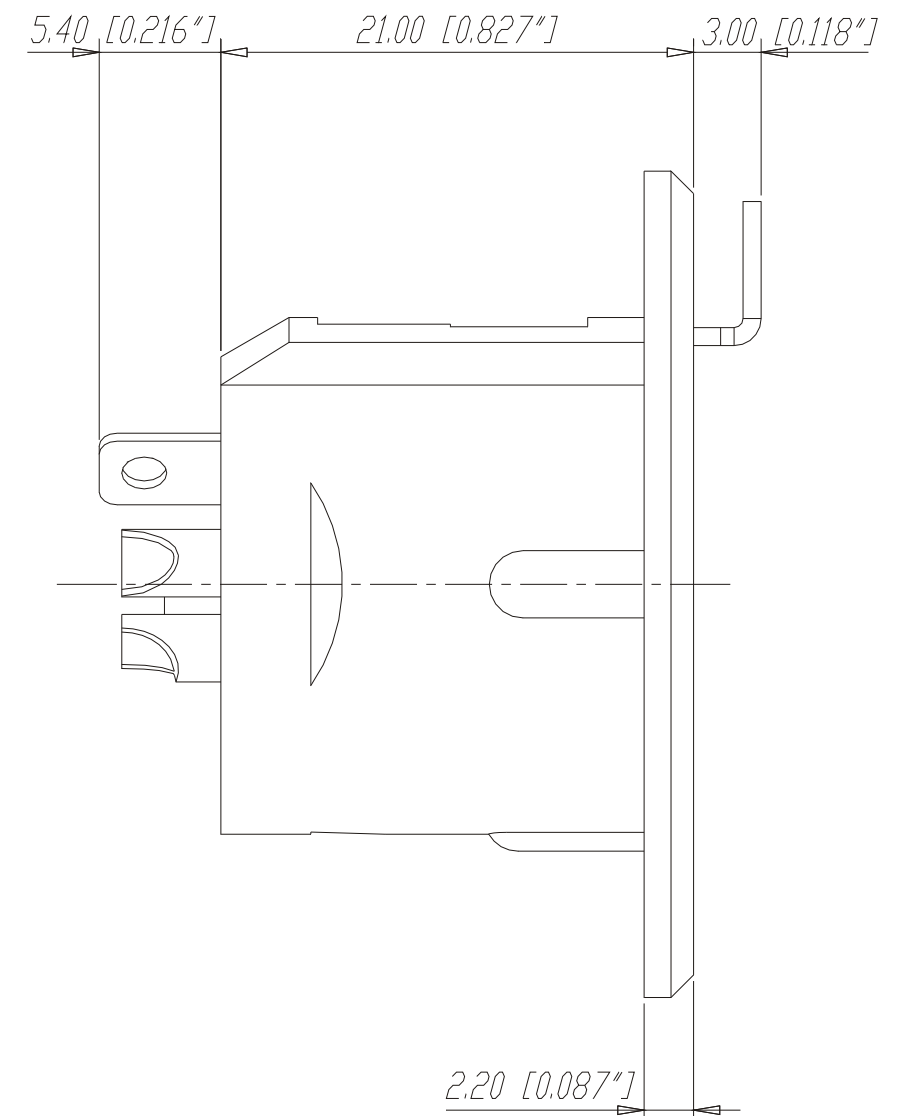
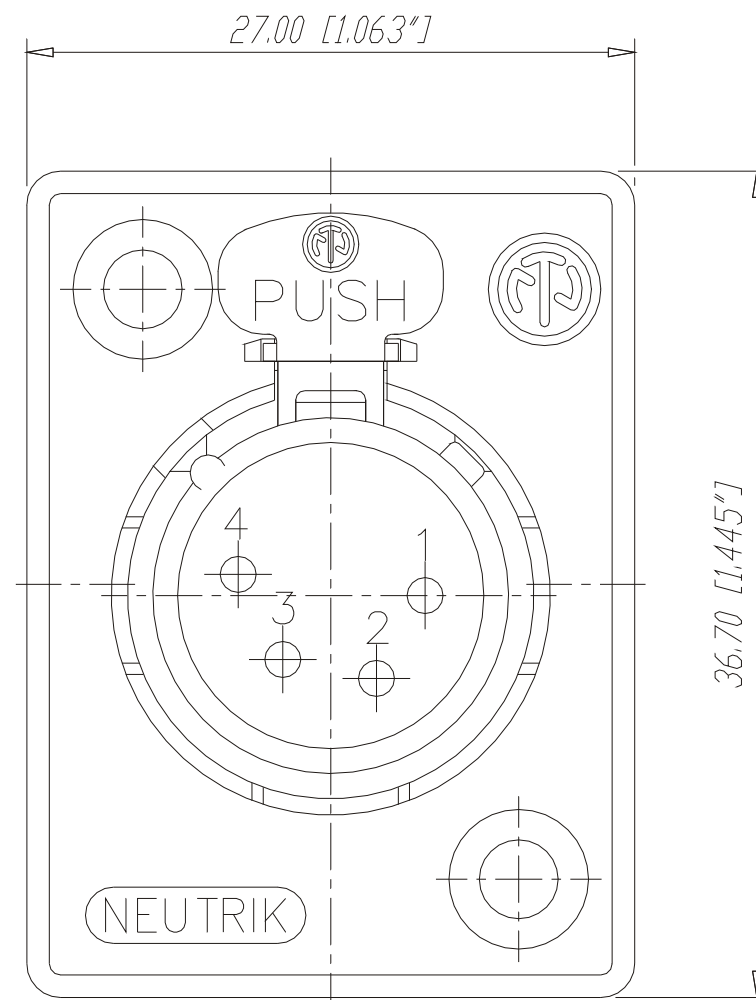
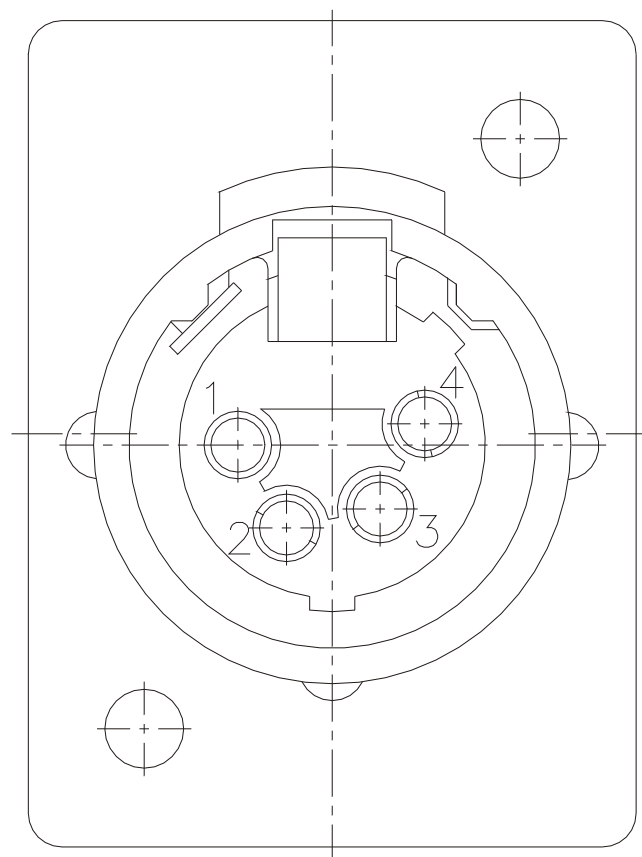
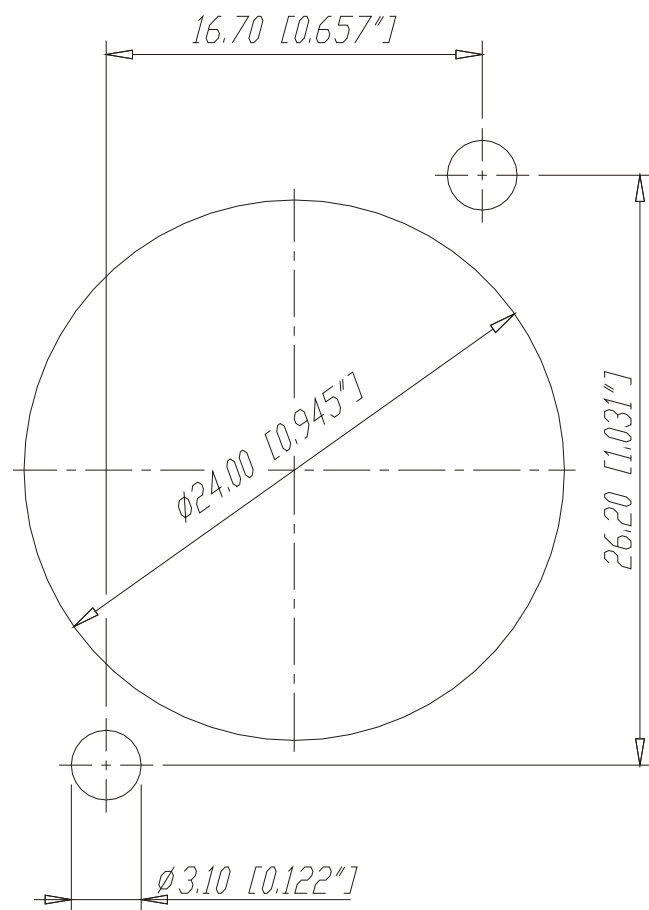
4 pole female receptacle, solder contacts, Nickel housing, silver contacts

Features & Benefits

- Smallest available hard wiring receptacles with large solder cups
- Short female receptacle
- Compatible with switchcraft D*M, D*F; Cannon XLB2*31, XLB2*32

Frontplattenausschnitt (Rückseite)

Panel cut out (rear side)



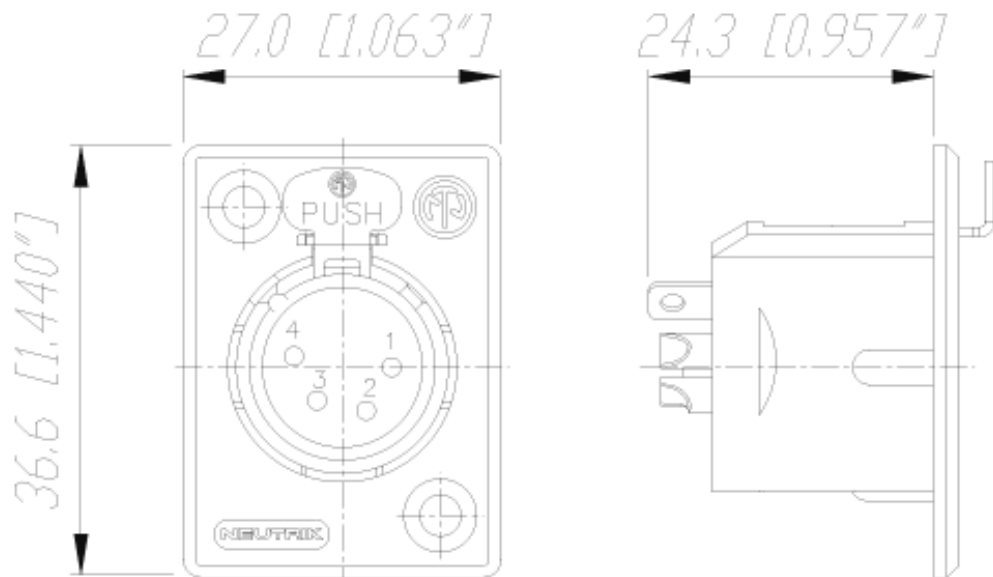
Ind.	Aenderung	Datum	Name	Benennung:	Werkstoff:	Massstab:	Gezeichnet	Datum	Name
						3:1		06.07.89	Martinek
							Geprueft		
							Gesehen		
							Ersetzt durch:		Blatt
							Ersatz fuer:		von Blatt
A	Aktuelle Zeichnung	24.03.98	Alinjak	(FP-1) NC4FP-1			Zeichn. Nr.	3102	St 11 07
				NEUTRIK AG FL-9494 SCHAAN					



Audio

P Series

NC4FP-1



There are no technical infos for this product.

Product

Connector Type	XLR
Gender	female

Electrical

Capacitance between contacts	≤ 7 pF
Contact resistance	≤ 5 m Ω
Dielectric strength	1,5 kVdc
Insulation resistance	> 2 G Ω (initial)
Insulation resistance	> 1 G Ω (after damp heat test)
Rated current per contact	10 A
Rated voltage	50 V

Mechanical

Insertion force	≤ 20 N
Withdrawal force	≤ 20 N

Lifetime	> 1000 mating cycles
Wire size	max. 1.5 mm ²
Wire size	max. 16 AWG
Wiring	Solder contacts
Locking device	latch lock
Mounting direction	front
Chassis shape	P

Material

Contact plating	2 µm Ag over 2 µm Ni
Contacts	Brass (CuZn39Pb3)
Insert	Polyamide (PA 6.6 30 % GR)
Locking element	Steel Ck67
Shell	Zinc diecast (ZnAl4Cu1)
Shell plating	Nickel

Environmental

Flammability	UL 94 HB
Standard compliance	IEC 61076-2-103
Solderability	Complies with IEC 68-2-20
Temperature range	-30 °C to +80 °C

Optical

Mobile Cables