

Conectores para cable flexible
macho recto crimp

Connectors for flexible cable
straight crimp type plus

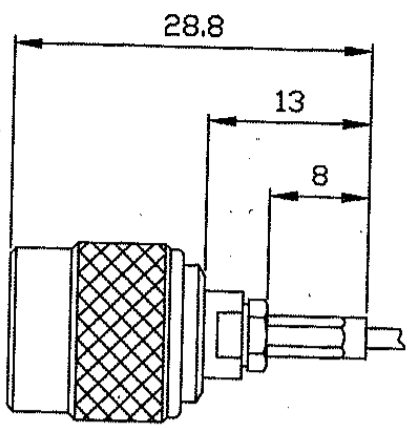


fig. 1

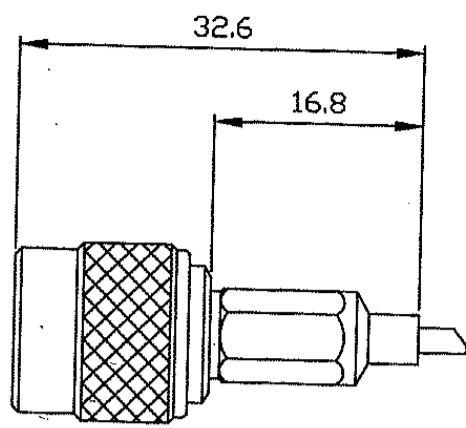


fig. 2

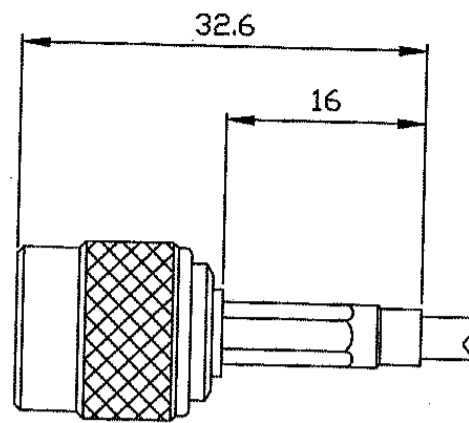


fig. 3

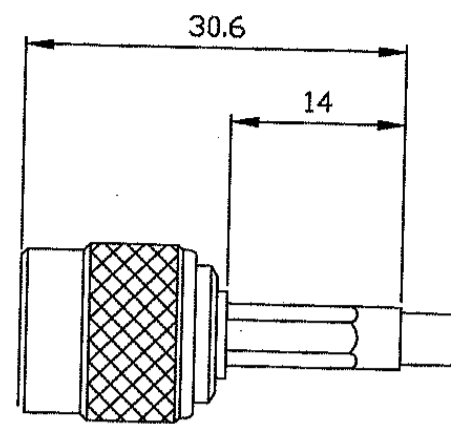


fig. 4

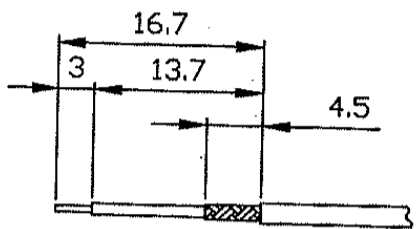


fig. A

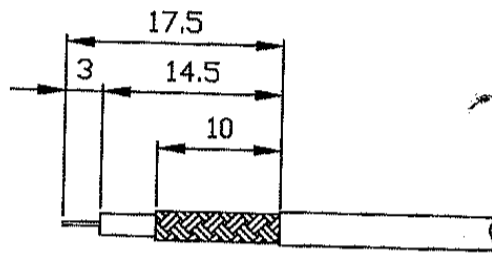


fig. C

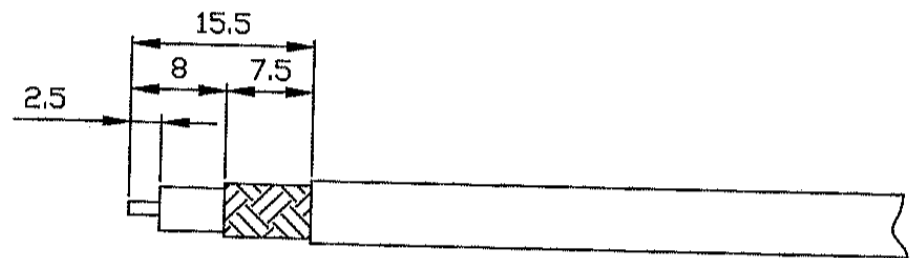


fig. D

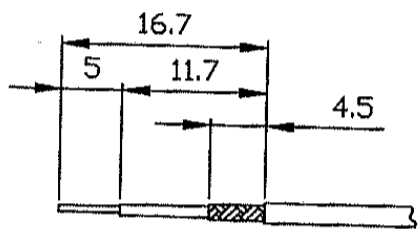


fig. B

CABLE	INSTRUC.	Ω		FIG.	CRIMPING TOOL	
CABLE	INSTRUC.			FIG.	HERRAMIENTA CRIMP	
TX-20	INS 8	75	A-TNC-10C16-75	1	A	A-EIN-C-1-C61
RG-178; RG-196		50	A-TNC-10C18-50			
RG-179		75	A-TNC-10C25-75			
RG-316	INS 36	--	A-TNC-10C25-75-B	2	C	A-EIN-C-1-931
RG-174; RG-188	INS 8	50	A-TNC-10C25A-50	1	B	A-EIN-C-1-641
			A-TNC-10C26-50			
RG-187	INS 36	--	A-TNC-10C26-50-A	2	C	A-EIN-C-1-931
FLEX-2	INS 8	75	A-TNC-10C26B-75	1	B	A-EIN-C-1-641
			A-TNC-10C27-75			
ST-212	INS 36	--	A-TNC-10C27-75-A	2	C	A-EIN-C-1-931
FLEX-3	INS 9	75	A-TNC-10C31-75	3		
BT-3002			A-TNC-10C35-75			
S 0.4/2.5			A-TNC-10C36-75			
FLEX-4			A-TNC-10C44A-75			
FLEX-5			A-TNC-10C45-75			
RG-58; RG-141; RG-303			A-TNC-10C47-75			
RG-142; RG-400			A-TNC-10C50-50		4	
RG-223		A-TNC-10C50A-50				
ST-214		A-TNC-10C54-50				
FLEX-6		A-TNC-10C59-75				
RG-59		A-TNC-10C60-75				
Three Shield $\phi 6.1$		A-TNC-10C61-75				
LMR-240		A-TNC-10C61B-75	50	A-EIN-C-1-931	A-EIN-C-1-341	
	A-TNC-10C61D-50					